

SERVICEABLE AIR BELLOWS M/31000

Single acting – Ø 6 to 26"



- Frictionless operation
- No maintenance or lubrication
- Ideal for short stroke, high-force applications
- High vibration isolation level
- Simple to install

TECHNICAL DATA

Medium:
Compressed air, non-lubricated

Operating pressure:
8 bar maximum

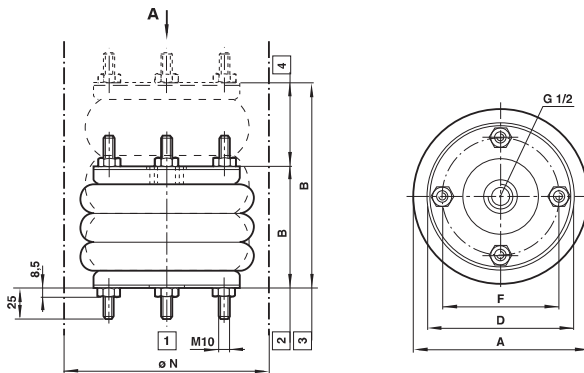
Operating temperature:
–40°C to +70°C for M/31000

Consult our Technical Service for use below +2°C

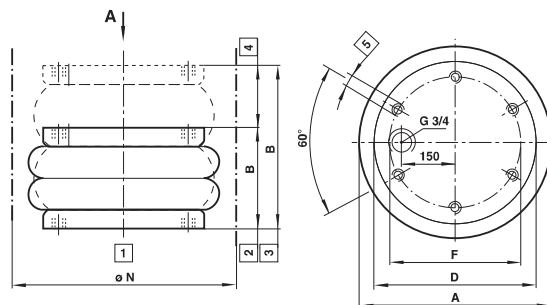
Important instructions:
The design of these air bellows allows an operation at an angle of 5° to 25°. The top and bottom plate can be out of alignment, depending on the height of the air bellow and the number of convolutions. To avoid damage mechanical stops at both end positions have to be used. To return air bellows to their minimum height an external return force must be used. The thrust depends directly on the height of the air bellow: When height increases – the thrust decreases. As the outside diameter varies in operation there must be enough clearance around the air bellow.

- 1 Installation diameter min.
- 2 Installation height min.
- 3 Installation height max.
- 4 Stroke

M/31061 to
M/31163



M/31212 &
M/31262



Models

Model No.	Nominal Ø (inch) x convolutions	Maximum stroke (mm)	Port size
M/31061	6 x 1	55	G1/2
M/31062	6 x 2	115	G1/2
M/31081	8 x 1	80	G1/2
M/31082	8 x 2	175	G1/2
M/31101	10 x 1	100	G1/2
M/31102	10 x 2	225	G1/2
M/31103	10 x 3	330	G1/2
M/31121	12 x 1	100	G1/2
M/31122	12 x 2	225	G1/2
M/31123	12 x 3	330	G1/2
M/31141	14 1/2 x 1	125	G1/2
M/31142	14 1/2 x 2	265	G1/2
M/31143	14 1/2 x 3	380	G1/2
M/31162	16 x 2	315	G1/2
M/31163	16 x 3	430	G1/2
M/31212	21 x 2	280	G3/4
M/31262	26 x 2	410	G3/4

Dimensions

Stroke	Installation height		Ø A	Ø D	Ø F	Ø N
	B min. (mm)	B max. (mm)				
55	50	105	175	153,5	127	190
115	75	190	175	153,5	127	190
80	50	130	230	184	155,5	245
175	75	250	220	184	155,5	245
100	50	150	280	210	181	300
225	75	300	270	210	181	300
330	100	430	270	210	181	300
100	50	150	330	260	232	350
225	75	300	325	260	232	350
330	100	430	325	260	232	350
125	50	175	395	310	282,5	425
265	75	340	400	310	282,5	425
380	100	480	400	310	282,5	425
315	75	390	440	310	282,5	460
430	120	550	425	310	282,5	450
280	90	370	580	489,5	470	630
410	90	500	700	489,5	470	750

Safety note: These actuators must not be pressurised when unrestrained
For exact calculation for compact air bellows please contact our Technical Service

If you can't see the option you require...
...call the Express hotline now!



Rapid delivery – order today